



User Manual

CBM Pancho-16 Patch Panel

CBM PPCIS16
Version 2.7
January, 2005

CBM of America Pancho-16 Patch Panel

Overview

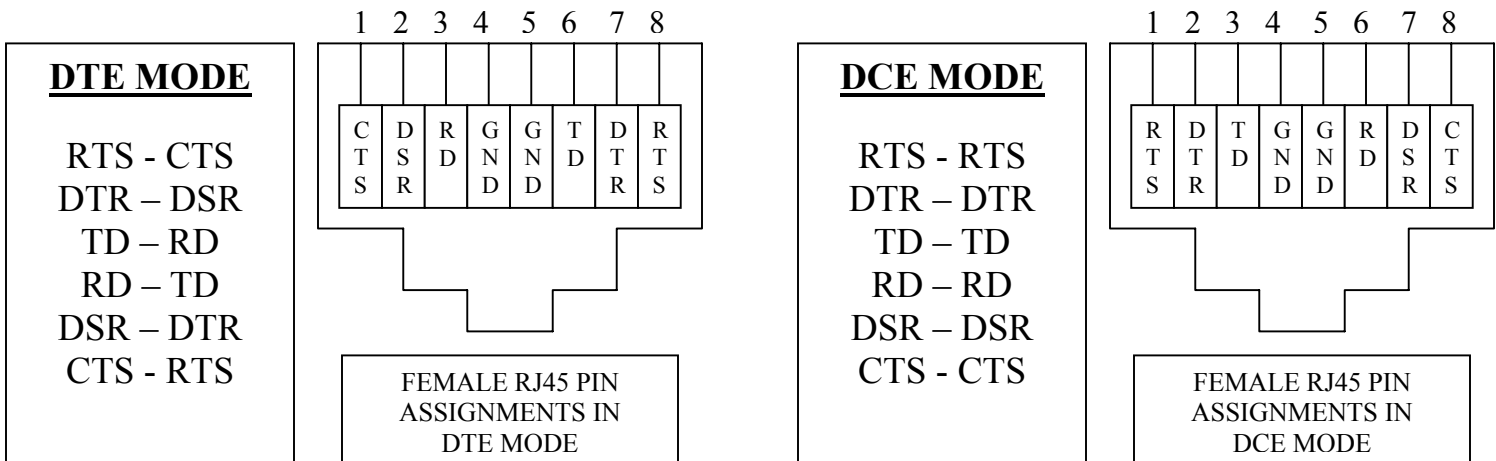
The CBM Pancho-16 Patch Panel is a rack mounted (19" standard, with adapters available for 23") passive (non-powered) 16 port interconnection device designed to be used in conjunction with the Cisco 3600 16 and 32 port asynchronous modules (Cisco NM-16A and Cisco NM-32A). The Pancho-16 eliminates the need for the cumbersome Cisco Octal cables (Cisco CAB-OCTAL-ASYNC) and has switch selectable DTE / DCE functionality.

Features

- Switch selectable DTE / DCE operation for each individual port
- Two 68 pin high density inputs interface to 16 RJ45 ports
- low profile space saving dimensions (19" length X 1.75" height X 1" depth)

DTE / DCE Operation

The individual ports on the Pancho-16 operate in either DTE (factory default) or DCE mode depending on the position of the rocker switch on the front of the panel. Please refer to the diagram below for the signaling characteristics utilized in each mode.



Installation

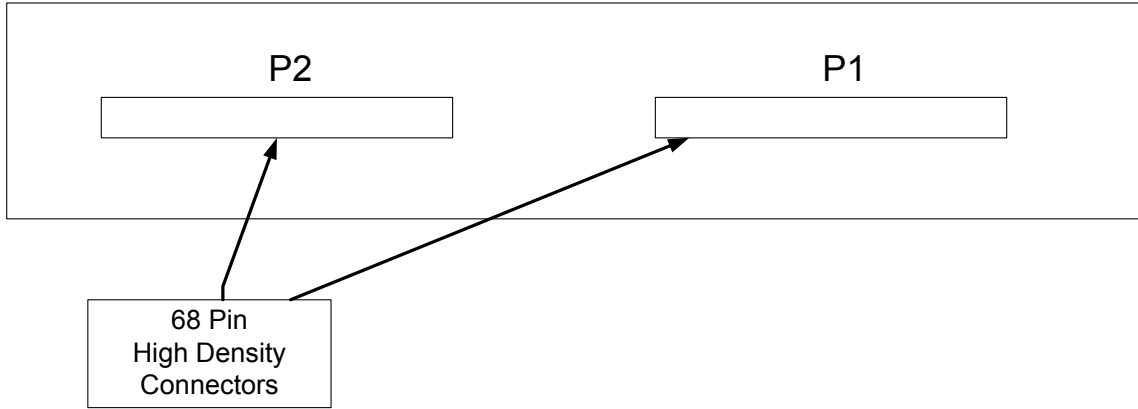
Mount the Pancho-16 in the associated rack and connect to the Cisco 16 or 32 port asynchronous module via 68 pin high density cables (**CBM Part Number CBLG1026**). Set the DTE / DCE switch for desired operation. When connecting to a DTE device, set the switch to DTE. When connecting to a DCE device, set the switch to DCE.

Warranty

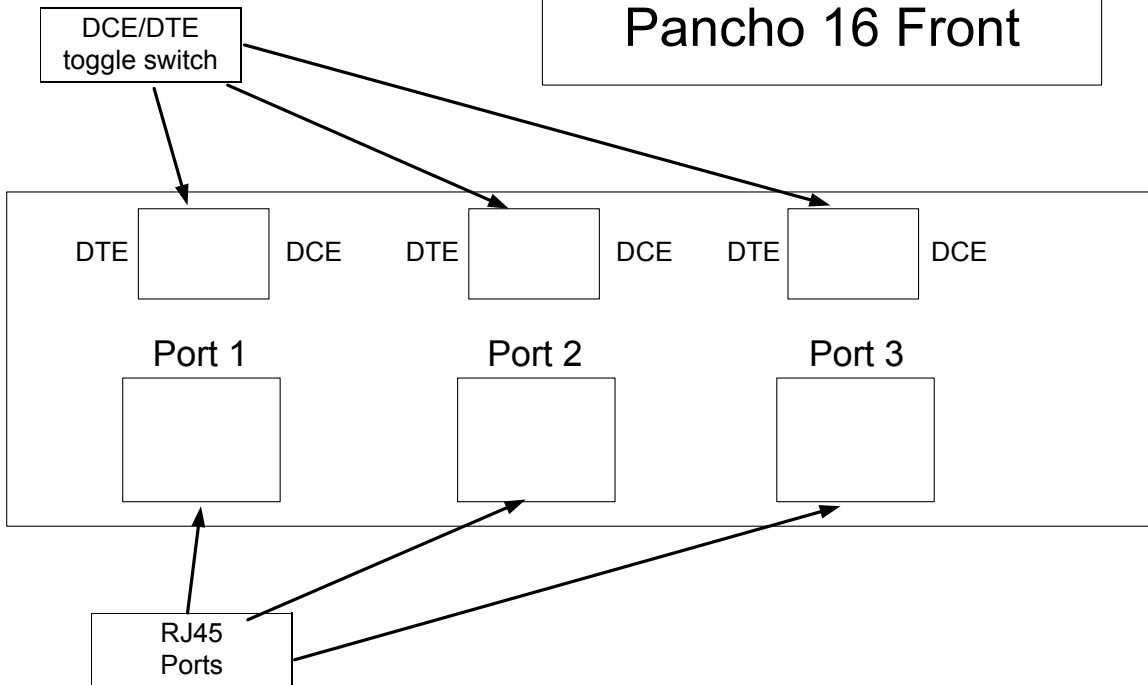
CBM of America warrants this product for all manufacturer and operational defects for a period of 1 year from date of purchase. For Technical Support or information concerning this or any other CBM product, please call **800-881-8202**.

CBM of America Inc.-1455 W. Newport Center Drive-Deerfield Beach, FL. 33442

Pancho 16 Back



Pancho 16 Front



CBM Pancho - 16 Port Patch Panel Model PPCIS16 Front View



↑
1.75 inches
↓

← 19 inches →

CBM Pancho – 16 Port Patch Panel Model PPCIS16 Rear View

