



DT-6061

USER'S MANUAL

TN-3270 SERVER APPLICATION



VERSION 1.0.7

721 Route 202-206
Bridgewater, NJ 08807
fax: 908.218.1736
phone: 908.218.0500
email: sales@datatekcorp.com
<http://www.datatekcorp.com>



CONTENTS

1 INTRODUCTION 4

2 TN-3270 APPLICATION CONFIGURATION 6

3 APPLICATION COMMANDS 11

4 APPLICATION SOFTWARE INSTALLATION & UPGRADE 14

5 HARDWARE WARRANTY 15

6 END-USER LICENSE AGREEMENT FOR SOFTWARE 15

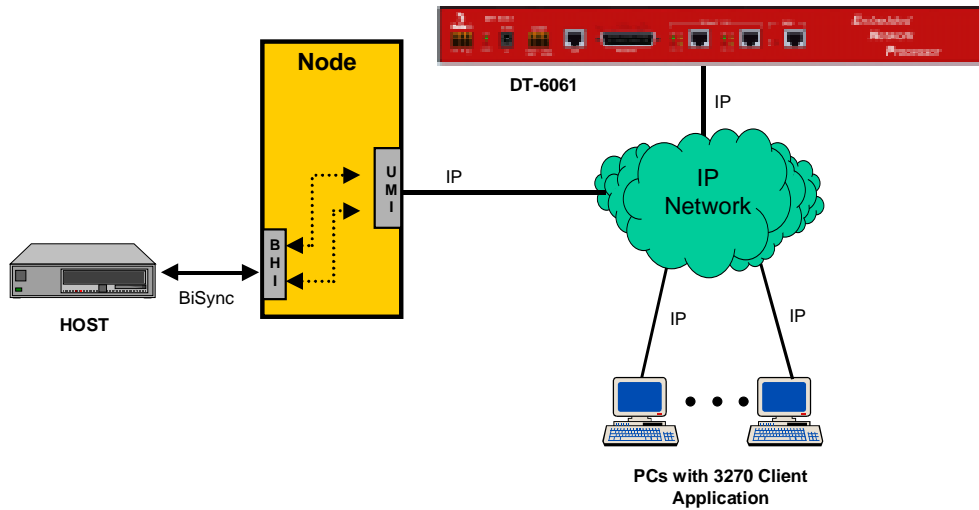


1 INTRODUCTION

The TN-3270 Server Application Type of the DT-6061 will allow a 3270 client, to access a host via a BNS Sync8 BiSync Host Interface (BHI) module. This Application type is designed to replace the TN-3270 DKAP application in either an **integrated**, or a **non-BNS** environment. The 3270 client programs are typically resident on a PC.

1.1 TN-3270 SERVER APPLICATION (INTEGRATED CONFIGURATION)

The following diagram depicts a configuration involving a 3270 client in an integrated environment. As such, it would replace the TN-3270 DKAP module.



In the above diagram a 3270 client would call the BiSync host using the IP address of the DT-6061 plus the TCP port assigned to the TN-3270 server **instance**¹ which is assigned to a line on the Bisync host.

Multiple clients would use the same IP address and TCP port number and the number of simultaneous clients is a configurable option within the application.

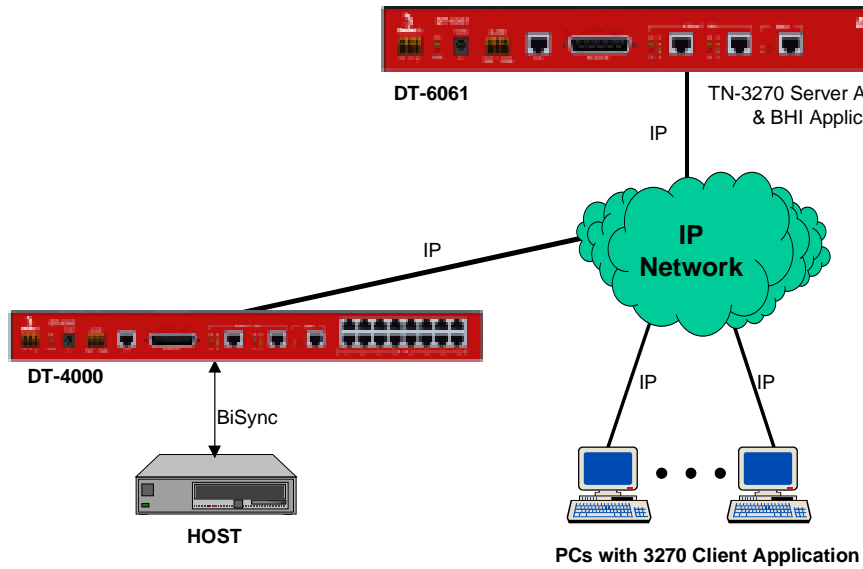
The function of the Universal Mediation Interface (UMI) module is to provide the protocol mediation between the BNS network, and the IP network.

¹ An application **instance** can be described as a unit of configuration parameters as a specific DT-6061 application defines them. In other words, each **instance** of an application is a completely separate process where all aspects of the operation of the application are performed entirely within that process.



1.2 TN-3270 SERVER APPLICATION (NON-BNS CONFIGURATION)

The TN-3270 Server application may also be used in circumstances where there is no BNS network.



In the above diagram the DT-6061 is actually executing one or more *instances* of two distinct applications².

- 1) The first application instance is the TN-3270 Server Application. This is the very same application as in the integrated network case, and the subject of this User's Manual.
- 2) The second application instance is the BiSync Host Interface (BHI) application³. The BHI application interfaces with a BiSync host and performs Cluster Controller emulation for a multi-point host line thus eliminating the BNS BHI module.

² The DT-6061 Platform may support up to 5 simultaneous application types.

³ The DT-6061 BHI Application is currently in development. Please check the Datatek Applications Web Site for availability.



2 TN-3270 APPLICATION CONFIGURATION

2.1 DT-6061 PLATFORM CONFIGURATION

Before proceeding with the configuration of the TN-3270 Server Application, make sure that the DT-6061 Platform has been properly configured and the TN-3270 Server Application is installed on the DT-6061 Platform. The steps necessary for this are outlined below and are stated in greater detail in the *DT-6061 Platform User's Manual*.

Platform Configuration:

This *command sequence* is required for the initial configuration of the DT-6061.

Application Installation:

This action requires that a host acting, as an ftp server is present on a network that is accessible by the DT-6061 install command.

Assignment of an Application to an Instance:

The number and type of application must be configured as a system parameter.

2.2 TN-3270 APPLICATION CONFIGURATION

Once the DT-6061 Platform configuration is complete, instances of the TN-3270 Server Application may be configured.

The configuration of the TN-3270 Server application takes place on the application's OA&M port. This OA&M port is accessed by making a Telnet call to **the IP Address of the DT-6061 that includes the TCP port number of the TN-3270 application instance**. The TCP port number of the TN-3270 application instance is calculated using the following equation:

$$10000 + (\text{the application instance \# in the DT-6061})$$

One TCP session exists per active client where all of the TCP sessions are addressed at the server TCP port number. The default server TCP port number is calculated using the following equation: $30000 + ((\text{instance \#} - 1) \times 200)$. The **server** command can be used to change the default TCP port number, which will allow multiple instances to share a common TCP port number.

2.2.1 CONFIGURATION PLANNING

Consider the following planning issues prior to installation and configuration of the DT-6061 TN-3270 application.

- ❑ Consider that the number of TN-3270 Client sessions to be allowed for an instance of the TN-3270 server application corresponds with the number of terminals in the BHI configuration for a particular BiSync line. Conservatively, the TN-3270 server application allows a maximum of 100 terminals. The default number is sixteen.
- ❑ Consider the terminal type to be requested from the TN-3270 client. Certain client applications (*such as some versions of Hummingbird Exceed*) have no provision to configure the 3270 terminal model. Of greater concern is that the **terminal model must match what is configured on the BiSync line**. A mismatch will cause a serious data error. The TN-3270 Server application will query and set the client for the appropriate terminal type. In the past, this has been defaulted to an "IBM-3278-2" terminal. This is the standard 24x80 terminal type. The TN-3270 server allows other terminal types as well.
- ❑ Consider that the IP address of the BHI, and its TCP port for the group of sessions to which a particular BiSync line is attached. If the BHI is implemented in a BNS Sync8 module, then this is the address of the UMI and a TCP hunt group for a specific set of virtual ports on the UMI. The set of virtual ports on the UMI specified by this hunt group has a pre-defined destination



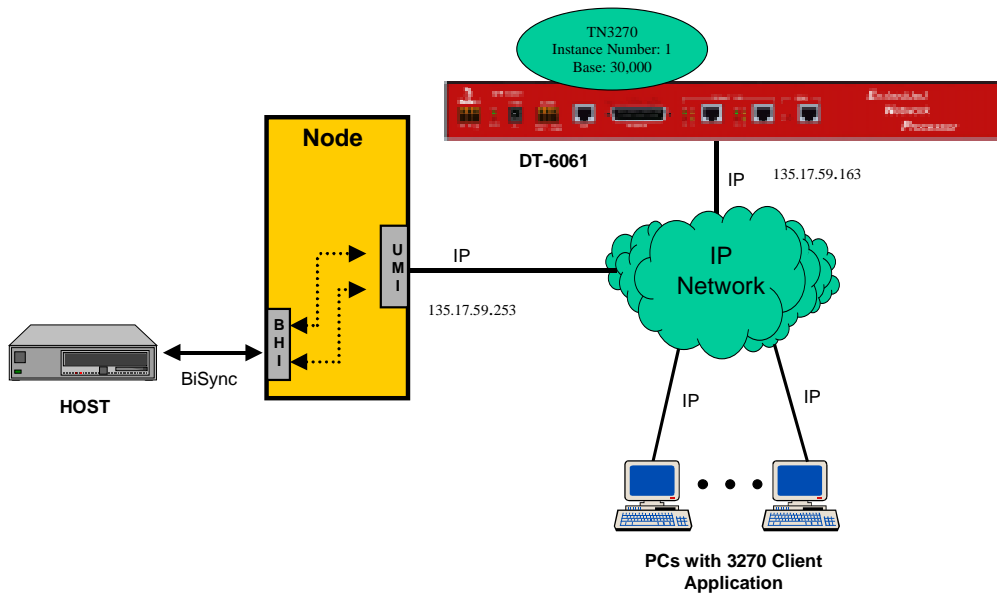
to the BHIM group associated with these terminals. Further, the UMI virtual ports are configured as “synchronous” virtual ports on the UMI console.

2.3 SAMPLE CONFIGURATION

The following network diagram depicts a generic TN3270 configuration. Several network components require configuration. The administrator may need to configure one or more of the following network elements.

1. UMI
2. SYNC8 Module
3. DT-6061 platform
4. TN-3270 application
5. PC TN3270 Client
6. BiSync Host

The following sections describe sample configurations for items 1-5 above and are based on the diagram below. Configuration of item number 6 (BiSync Host) is beyond the scope of this document. However, knowledge of the BiSync Host's configuration is required to properly configure the BNS SYNC8 module.



2.3.1 UMI CONFIGURATION

The overall configuration process for the UMI can be divided into two phases:

1. **Base Configuration:** *setting up the UMI for IP connectivity and console security*
2. **Operational Configuration:** *setting up the UMI and BNS node to enable users to make calls between the BNS and IP networks*

2.3.1.1 BASE CONFIGURATION

The following console output reflects the output of the UMI **verify** command (*part of UMI Module command set*). The results displayed below describe a UMI Base Configuration consistent with the configuration needs of the previous network diagram. For a more detailed description of how to configure the UMI, refer to the **UMI User's Manual**.

```
<UMI> verify vport 33
Virtual Ports 33 - 33 :
Type ==> TCP Port 14000 w/Call Listen.
Service State ==> In Service.
Protocol ==> Synchronous.
```

2.3.1.2 OPERATIONAL CONFIGURATION

The following console output reflects the output of the UMI **verify** command (*part of UMI Node command set*). The results displayed below describe a UMI Operational Configuration consistent with the configuration needs of the previous network diagram. For a more detailed description of how to configure the UMI, refer to the **UMI User's Manual**.

```
CC0> vfy sam m p 17 2 1
```

```
MODULE ADDRESS: 17
MODULE TYPE: sam504           NCHLS: 512
SERVICE STATE: in           SECS BEFORE DISCONNECT: 50
TRUNK TYPE: t1               LINE SPEED: 1.544M
TOTAL BOARDS: 16
DOWNLOAD SERVER: controller
VERSION: standard
COMMENT: UMI
```

BOARD ADDR	SERVICE STATE	SOFTWARE VERSION											
2	in	standard											
PORT	TYPE	DEV	NWK	ATT	ATT							GROUP	
1	term	N/A	N/A	N/A	9600	N/A	N/A	N/A	in	off	N/A	tn6061	
	CALL	NODE		BLD	CABLE	STOP						CNST	
PORT	HOLD	RBAUD	ECHO	NRZI	PAP	OUT	TYPE	BITS	BITS	PROTO	CODE	CARR	
1	N/A	N/A	N/A	no	no	254	dce	N/A	N/A	bisync	ebcdic	no	
PORT	EPN	CUG PROFILE		BFLUSH	FRMFILL								
1				N/A	N/A								
PORT	PDD												
1	bscm2												
PORT	COMMENT												
1	DT-6061 <--> UMI TN3270 test												



2.3.2 SYNC8 CONFIGURATION

The following console output reflects the output of the SYNC8 **verify** command. The results displayed below describe a bsc3270 configuration consistent with the configuration needs of the previous network diagram. For a more detailed description of how to configure the SYNC8 Module, refer to the **BNS-2000 SYNC8 Module Reference Guide**.

Note: knowledge of the BiSync Host's configuration is required to properly configure the BNS SYNC8 module

CC0> vfy bsc terminal 30 all

MODULE ADDRESS: 30
 MODULE TYPE: bsc3270 NCHLS: 100
 SERVICE STATE: in
 DOWNLOAD SERVER: controller
 VERSION: standard

HOST	MSG	CODE	PORT	BAUD				
PORT	CHNLS	TYPE	TYPE	CHNG	SET	DUPLEX	RATE	SRVC
2	6	host	vtam	no	ebcdic	full	9600	in

PORT	COMMENT
1	to bsc3270 host
2	to bsc3270 console
3	to bsc3270 host

PORT	CU	SRVC
2	2	in

PORT	CU	TERM	TYPE	SCRN	RECV	LOGOFF	LOGOFF	FWD	SRVC
				SIZE	GRP	METHOD	SEQ ID	ACK	
2	2	1	basic	1920	bscm2	none	N/A	no	in
2	2	2	basic	1920	bscm2	none	N/A	no	in
2	2	3	basic	1920	bscm2	none	N/A	no	in

PORT	CU	TERM	CHNL
2	2	1	8
2	2	2	9
2	2	3	15



2.3.3 DT-6061 PLATFORM AND TN-3270 APPLICATION CONFIGURATION

The DT-6061 software is composed of two components. One component, called the *Platform*, exists to support all applications. The second component is comprised of the individual *application(s)*.

The *Platform* provides Operating System functions, selected interfaces, protocol stacks, SNMP functions, and system OA&M while each *application* uses the services of the resident *Platform*.

2.3.3.1 DT-6061 PLATFORM CONFIGURATION

The following console output reflects the output of the DT-6061 **vfymod** and **vfycfg** commands. The results displayed below describe a DT-6061 platform configuration consistent with the configuration needs of the previous network diagram. For a more detailed description of how to configure the DT-6061 platform, refer to the *DT-6061 User's Manual*.

```
<DT-6061> vfymod
ipaddr: 135.17.59.163
submask: 255.255.255.0
gateway: 135.17.59.1
mac addr: 0.96.29.2.55.42
serial #: 0.0.5.112.158.220
build #: 6
built on: Thu Aug 3 12:01:43 EDT 2000
```

```
<DT-6061> vfycfg
1 type=tn3270
```

2.3.3.2 TN-3270 APPLICATION CONFIGURATION

The following console output reflects the output of the TN3270 **bsc** and **vfy** commands. This output reflects the commands necessary to configure the TN-3270 application so that it is consistent with the configuration needs of the previous network diagram.

```
<TN3270> bsc dest=135.17.59.253 dport=14000
```

```
<TN3270> vfy
Verify TN3270 Instance Configuration
```

```
BiSync Host Interface: 135.17.59.253 Port 14000.
Number of Sessions: 100
Terminal Type: IBM-3278-2
Server TCP Port: 30000
Console Inactivity Timeout DISABLED
Session Inactivity Timeout DISABLED
```

2.3.4 PC TN3270 CLIENT

For whatever TN3270 client is being used, certain configuration parameters must be administered on the client to insure connectivity to the BiSync Host. These parameters are:

1. DT-6061 IP Address
2. TCP Port Number of the application instance being called

Based on the previous network diagram the DT-6061 IP Address is **135.17.59.163** .
The TCP Port number at the Server is **30000** .

*Note: Default TCP Port number at the Server is calculated using the equation
30000 + ((instance # - 1) X 200)*



3 APPLICATION COMMANDS

The DT-6061 software is composed of two components. One component, called the **Platform**, exists to support all applications. The second component is comprised of the individual **application(s)**.

The **Platform** provides Operating System functions, selected interfaces, protocol stacks, SNMP functions, and system OA&M while each **application** uses the services of the resident **Platform**.

3.1 INPUT CONVENTIONS

All parameters may be given on the command line. Parameters of the form **name=<value>** may be given in any order.

For several complex commands, listed below, missing parameters, or corrections of errors in given parameters, of the form **name=<value>** are collected by prompting the console user. The user responds to a prompt for the **name** by typing the required **<value>** followed by *newline*. Defaults are supplied in some cases, so the user need only enter *newline*.

- Commands may be entered in upper or lower case.
- Parameters of the form **name=value** may use upper or lower case for **name**.
- Default values, if any, are shown in parenthesis as part of the prompt.
- Case is preserved for values.
- When a password is being requested by a prompt, input is not echoed.
- Backspace erases one character and @ deletes the current line of input. Most commands are killed by **del** key.

3.2 LOGIN

Syntax: `login PASSWD=<password>` (The default password is "initial")

The **login** command is used to allow access to the other configuration commands.

The **PASSWD** parameter is not echo suppressed. However, if the **PASSWD** parameter is not provided, the console prompts for a password; the response is echo-suppressed in this case.

If the password is valid, the user is placed in the *logged in* mode. Once the console user is logged *in*, the balance of the commands are accessible.

Note: Every application instance might be assigned a different password.

3.3 LOGOUT

Syntax: `logout`

The **logout** command is only allowed if the console user is logged *in*. It uses no arguments. It will set the console to the logged *out* mode. The console may also be logged out by typing **exit** or **ctrl-D**.

3.4 CHANGE PASSWORD

Syntax: `chgpas PASSWD=<old> NEWPASS=<new> CONFIRM=<new>`

The **chgpas** command is used to change a user password on a particular application type. The command is only allowed if the user is logged *in*.



All three parameters can be given on the same line as the command. None of those entries are echo-suppressed. However, if parameters are omitted from the command line, the console will prompt for them, and the responses will be echo-suppressed.

If the current password is valid, and the two entries for the new password match, the password is changed to the new value.

3.5 APPLICATION CONSOLE USER HELP

Syntax: `help [? [command]]`

The **help** command is always visible. The **help** command displays the currently allowed commands for the mode that the unit is currently entered.

3.6 VERSION

Syntax: `ver`

The **version** command is only visible when the application is *logged in*. The command has no arguments. It displays the current software and database revisions of the application.

3.7 CONFIGURING BISYNC HOST INTERFACE PARAMETERS

Syntax: `BSC [dest=<BHI IP Address>] [dport=<BHI TCP Port>]
[numsess=<#Sessions>] [ttype=<TERM ID>]`

The **BSC** command is only visible when the application is logged in. The command is used to configure the parameters needed for connections to a *BiSync Host Interface Application*. There is one such connection for each active client.

When the TN-3270 Server makes an originating connection to the BHI for a client, the **dest** parameter would specify the IP address and the **dport** parameter is the hunt group TCP port for the BHI. There is a single address that defines all ports for an instance of the TN-3270 server. Multiple destinations would be addressed by invoking multiple instances of the TN-3270 server on the same DT-6061.

The **numsess** parameter is the number of client sessions to be supported. The default is sixteen (16). The number of client sessions should match the number of available terminal slots on the BHI.

The **ttype** parameter specifies the terminal type as specified by the host line and the BHI configuration. The TN-3270 server will cycle the client to set this value via the RFC 884 Telnet option sequence. The default value is "IBM-3278-2" which is a 24x80 terminal. Other allowed values are: "IBM-3275-2", "IBM-3276-2", "IBM-3276-3", "IBM-3276-4", "IBM-3277-2", "IBM-3278-2", "IBM-3278-3", "IBM-3278-4", "IBM-3278-5", "IBM-3279-2", and "IBM-3279-3".

3.8 DISPLAY MEASUREMENTS

Syntax: `dmeas [SESS <Session #>]`

The **dmeas** command is only visible when the application is logged in. The command is used to display currently available measurements on sessions between clients and the host.

The **SESS <Session #>** parameter will limit the display to a particular session number. Session numbers are in the range of one through the maximum allowed per the configuration. The **SESS <Session #>** parameter is not required to display all sessions with non-zero data.

measurements are only displayed if they are nonzero

The per session measurements available are as follows:



Measurement Description
Number of Messages from the Client to the Host.
Number of Bytes from the Client to the Host.
Number of Messages from the Host to the Client.
Number of Bytes from the Host to the Client.

3.9 VERIFY CONFIGURATION

Syntax: `vfy`

The `vfy` command is only visible when the application is logged in. The command is used to display the configured options on the TN-3270 Server application.

3.10 DISPLAY CURRENT CONNECTIONS

Syntax: `dconn`

The `dconn` or `dc` command is used to display all of the current client connections into the TN-3270 Server application. The command will issue a report that shows the connection peer for each active connection.

3.11 DISPLAY LOG

Syntax: `dlog`

The `dlog` command is used to display all entries in the log file.

An exclamation point (!) that precedes a log entry denotes new entries. A double asterisk (**) that precedes a log entry denotes duplicate entries.

The log file can be cleared with the command, `clear log`.

3.12 CLEAR

Syntax: `clr`

The `clr` command is only visible when the application is logged in. The command is used to clear all measurement tables on sessions between clients and the host.

3.13 SERVER

Syntax: `server [default|<server port number>]`

The `server` command is only visible when the application is logged in. The command is used to configure TCP port numbers being used to accept TN3270 calls. The default setting will return the TN3270 instance to the default TCP port number associated with that instance based on the formula: $30000 + ((instance\# - 1) \times 200)$.

3.14 TIMEOUT

Syntax: `timeout [console=<seconds> | off] [session=<seconds> | off]`

The `timeout` command is only visible when the application is logged in. The command is used to monitor application console inactivity and tn3270 session inactivity. Inactivity is defined as the complete absence of data over the specified period of time. The `console` parameter sets the inactivity timeout value for the application console. The range of values is 15-254 seconds. The `session` parameter sets the inactivity timeout value for user sessions. The range of values is 5-3600 seconds.



4 APPLICATION SOFTWARE INSTALLATION & UPGRADE

An application may be initially installed, or upgraded, using the **install** command.

*Refer to the DT-6061 Platform User's Manual and refer to the section titled: **Application Software Installation & Upgrade***



5 HARDWARE WARRANTY

The warranty period for hardware shall be one year from the date of delivery. Replacements and repairs are guaranteed for the longer of the remaining original warranty period or 90 days.

6 END-USER LICENSE AGREEMENT FOR SOFTWARE

This License Agreement ("License") is a legal contract between you and the manufacturer ("Manufacturer") of the system ("HARDWARE") with which you acquired software product(s) identified above ("SOFTWARE"). The SOFTWARE may include printed materials that accompany the SOFTWARE. Any software provided along with the SOFTWARE that is associated with a separate end-user license agreement is licensed to you under the terms of that license agreement. By installing, copying, downloading, accessing or otherwise using the SOFTWARE, you agree to be bound by the terms of this LICENSE. If you do not agree to the terms of this LICENSE, Manufacturer is unwilling to license the SOFTWARE to you. In such event, you may not use or copy the SOFTWARE, and you should promptly contact Manufacturer for instructions on return of the unused product(s) for a refund.

6.1 SOFTWARE LICENSE

You may only install and use one copy of the SOFTWARE on the HARDWARE (unless otherwise licensed by Manufacturer). The SOFTWARE may not be installed, accessed, displayed, run, shared or used concurrently on or from different computers, including a workstation, terminal or other digital electronic device ("Devices"). Notwithstanding the foregoing and except as otherwise provided below, any number of Devices may access or otherwise utilize the services of the SOFTWARE. You may not reverse engineer, decompile, or disassemble the SOFTWARE, except and only to the extent that such activity is expressly permitted by applicable law notwithstanding this limitation. The SOFTWARE is licensed as a single product. Its component parts may not be separated for use on more than one HARDWARE. The SOFTWARE is licensed with the HARDWARE as a single integrated product. The SOFTWARE may only be used with the HARDWARE as set forth in this LICENSE. You may not rent, lease or lend the SOFTWARE in any manner. You may permanently transfer all of your rights under this LICENSE only as part of a permanent sale or transfer of the HARDWARE, provided you retain no copies, you transfer all of the SOFTWARE (including all component parts, the media and printed materials, any upgrades, this LICENSE and, if applicable, the Certificate(s) of Authenticity), and the recipient agrees to the terms of this LICENSE. If the SOFTWARE is an upgrade, any transfer must also include all prior versions of the SOFTWARE. Without prejudice to any other rights, Manufacturer may terminate this LICENSE if you fail to comply with the terms and conditions of this LICENSE. In such event, you must destroy all copies of the SOFTWARE and all of its component parts.

6.2 INTELLECTUAL PROPERTY RIGHTS

The SOFTWARE is licensed, not sold to you. The SOFTWARE is protected by copyright laws and international copyright treaties, as well as other intellectual property laws and treaties. You may not copy the printed materials accompanying the SOFTWARE. All title and intellectual property rights in and to the content which may be accessed through use of the SOFTWARE is the property of the respective content owner and may be protected by applicable copyright or other intellectual property laws and treaties. This LICENSE grants you no rights to use such content. All rights not expressly granted under this LICENSE are reserved Manufacturer and its licensors (if any).

6.3 SOFTWARE SUPPORT

SOFTWARE support is not provided by Manufacturer, or its affiliates or subsidiaries separate from the HARDWARE. For SOFTWARE support, please contact your supplier of the HARDWARE. Should you have any questions concerning this LICENSE, or if you desire to contact Manufacturer for any other reason, please refer to the address provided in the documentation for the HARDWARE.

6.4 EXPORT RESTRICTIONS

You agree that you will not export or re-export the SOFTWARE to any country, person, or entity subject to U.S. export restrictions. You specifically agree not to export or re-export the SOFTWARE: (i) to any country to which the U.S. has embargoed or restricted the export of goods or services, which as of March 1998



include, but are not necessarily limited to Cuba, Iran, Iraq, Libya, North Korea, Sudan and Syria, or to any national of any such country, wherever located, who intends to transmit or transport the products back to such country; (ii) to any person or entity who you know or have reason to know will utilize the SOFTWARE or portion thereof in the design, development or production of nuclear, chemical or biological weapons; or (iii) to any person or entity who has been prohibited from participating in U.S. export transactions by any federal agency of the U.S. government.

6.5 LIMITED WARRANTY

Manufacturer warrants that (a) the SOFTWARE will perform substantially in accordance with the accompanying written materials for a period of ninety (90) days from the date of receipt. Any implied warranties on the SOFTWARE are limited to ninety (90) days. Some states/jurisdictions do not allow limitations on duration of an implied warranty, so the above limitation may not apply to you.

Manufacturer's and its suppliers' entire liability and your exclusive remedy shall be, at Manufacturer's option, either (a) return of the price paid, or (b) repair or replacement of the SOFTWARE that does not meet this Limited Warranty and which is returned to Manufacturer with a copy of your receipt. This Limited Warranty is void if failure of the SOFTWARE has resulted from accident, abuse, or misapplication. Any replacement SOFTWARE will be warranted for the remainder of the original warranty period or thirty (30) days, whichever is longer.

6.6 NO OTHER WARRANTIES

TO THE MAXIMUM EXTENT PERMITTED BY APPLICABLE LAW, MANUFACTURER AND ITS SUPPLIERS DISCLAIM ALL OTHER WARRANTIES, EITHER EXPRESS OR IMPLIED, INCLUDING, BUT NOT LIMITED TO IMPLIED WARRANTIES OF MERCHANTABILITY, FITNESS FOR A PARTICULAR PURPOSE AND NONINFRINGEMENT, WITH REGARD TO THE SOFTWARE AND THE ACCOMPANYING WRITTEN MATERIALS. THIS LIMITED WARRANTY GIVES YOU SPECIFIC LEGAL RIGHTS. YOU MAY HAVE OTHERS, WHICH VARY FROM STATE/JURISDICTION TO STATE/JURISDICTION.

6.7 LIMITATION OF LIABILITY

To the maximum extent permitted by applicable law, in no event shall Manufacturer or its suppliers be liable for any damages whatsoever (including without limitation, special, incidental, consequential, or indirect damages for personal injury, loss of business profits, business interruption, loss of business information, or any other pecuniary loss) arising out of the use of or inability to use this product, even if Manufacturer has been advised of the possibility of such damages. In any case, Manufacturer's and its suppliers' entire liability under any provision of this License shall be limited to the amount actually paid by you for the SOFTWARE and/or the HARDWARE. Because some states/jurisdictions do not allow the exclusion or limitation of liability for consequential or incidental damages, the above limitation may not apply to you.

6.8 SPECIAL PROVISIONS

The SOFTWARE and documentation are provided with RESTRICTED RIGHTS. Use, duplication, or disclosure by the United States Government is subject to restrictions as set forth in subparagraph (c)(1)(ii) of the Rights in Technical Data and HARDWARE Software clause at DFARS 252.227-7013 or subparagraphs (c)(1) and (2) of the Commercial HARDWARE Software-Restricted Rights at 48 CFR 52.227-19, as applicable. Manufacturer is Datatek Applications, Inc., Rte. 202-206, Bridgewater, New Jersey 08807.

If you acquired the SOFTWARE in the United States of America, this Software License are governed by the laws of the State of New Jersey, excluding its choice of laws provisions. If you acquired the SOFTWARE outside the United States of America, local law may apply. This LICENSE constitutes the entire understanding and agreement between you and the Manufacturer in relation to the SOFTWARE and supercedes any and all prior or other communications, statements, documents, agreements or other information between the parties with respect to the subject matter hereof.

