



## ***X25PAD APPLICATION***

# **USER'S MANUAL**



**BUILD 24.1**

102 SW Orange Blossom  
Lake City, Florida  
32025-1613  
phone: 386-754-5700  
email: [sales@trdcusa.com](mailto:sales@trdcusa.com)  
<http://www.trdcusa.com>

**CONTENTS**

**1. INTRODUCTION..... 4**

1.2 APPLICATION SPECIFICATIONS ..... 5

1.3 APPLICATION BASIC ARCHITECTURE & OPERATION ..... 5

1.4 X25PAD APPLICATION CONFIGURATION..... 6

**2. APPLICATIONS COMMANDS ..... 8**

2.1 INPUT CONVENTIONS..... 8

2.2 LOGIN..... 8

2.3 LOGOUT..... 8

2.4 CHANGE PASSWORD..... 9

2.5 HELP..... 9

2.6 VERSION..... 9

2.7 PLACING COMPONENTS IN SERVICE ..... 9

2.8 TAKING COMPONENTS OUT OF SERVICE ..... 9

2.9 CONFIGURING GENERAL & LINK PARAMETERS ..... 10

2.10 VIRTUAL CIRCUIT CONFIGURATION..... 12

2.11 CONFIGURING PAD PARAMETERS ..... 13

2.12 DISPLAY MEASUREMENTS..... 14

2.13 VERIFY CONFIGURATION..... 15

2.14 DISPLAYING CURRENT CONNECTIONS..... 15

2.15 SNOOPING X.25 TRAFFIC ..... 15

2.16 RESTART X.25 OPERATION ..... 16

2.17 PROMPT LABELS..... 16

2.18 APPLICATION COMMENTS ..... 16

2.19 DISPLAY OF REMOTE EIA LEADS ..... 16

2.20 CLOSED USER GROUPS..... 16

2.21 CONSOLE SECURITY ..... 16

2.22 X25PAD INSTALL (INSTALLING SOFTWARE & RESETING THE PASSWORD)..... 17

**3. APPLICATION SOFTWARE INSTALLATION & UPGRADE ..... 17**

**4. APPENDIX A – X25PAD MEASUREMENTS AVAILABLE ..... 18**

**5. SUPPORT FOR X.3 PAD PARAMETER VALUES..... 19**

**6..... 21**

**7. APPNOTE: USING X25PAD AS AN FTAM GATEWAY ..... 22**

**8. HARDWARE WARRANTY ..... 25**

**9. END-USER LICENSE AGREEMENT FOR SOFTWARE ..... 26**  
SOFTWARE LICENSE ..... 26  
INTELLECTUAL PROPERTY RIGHTS ..... 26  
SOFTWARE SUPPORT ..... 26  
EXPORT RESTRICTIONS..... 26  
LIMITED WARRANTY..... 26  
NO OTHER WARRANTIES..... 27  
LIMITATION OF LIABILITY ..... 27  
SPECIAL PROVISIONS..... 27

**10. SALES & DISTRIBUTION ..... 28**

**11. AUTHOR..... 28**

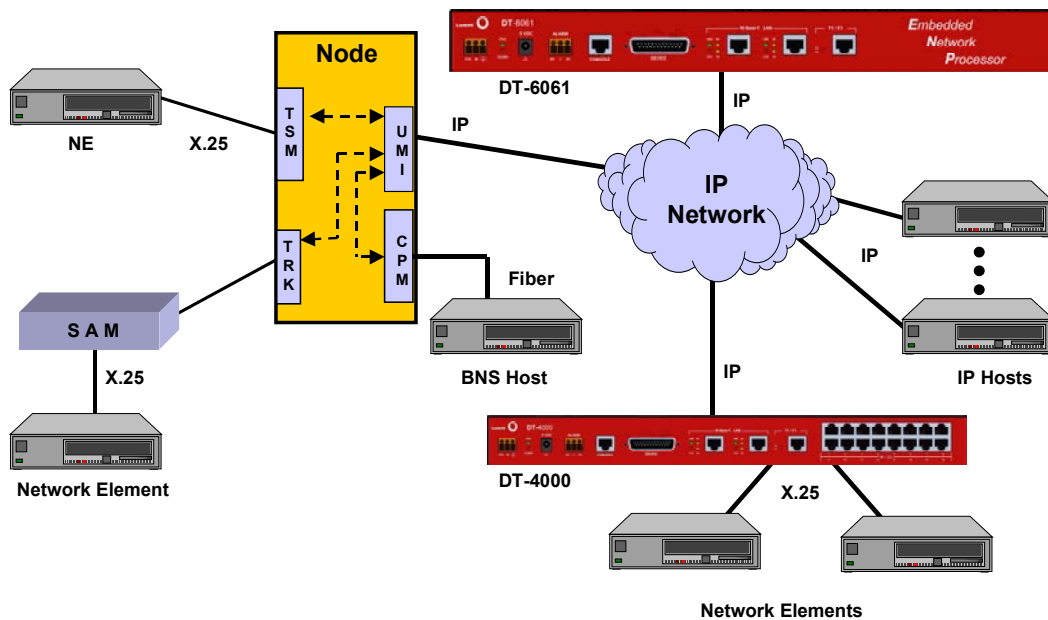
**1. INTRODUCTION**

The X25PAD Application eliminates the need, complexity, or expense of specialized X.25 equipment and allows any available port on a DT-4xxx, DT-2020 connected SAM, or BNS endpoint such as a SAM port, to be used for Network Element (NE) access.

The X25PAD Application of the DT-6061 allows an X.25 device to be connected to a synchronous port anywhere in the network. Supporting both **X.3 PAD** and **Pass-Through** functionality on a per virtual circuit basis, X25PAD Application connections to virtual circuits on an X.25 port are provided with a telnet TCP/IP connection.

The following diagram depicts a configuration of BNS network elements and non-BNS network elements with BNS/non-BNS hosts that require access to those network elements.

**DT-6061 with X25PAD Application (Typical Configuration)**



In the above configuration, there is one circuit carrying X.25 LAPB frames from the DT-6061 to a DT-4000 connected Network Element (NE) or a SAM connected NE. The X.25 Network Element may be anywhere on the available networks (*both BNS and IP*) as the above diagram depicts. IP Hosts access the virtual circuits on these Network Elements via a TCP port number. BNS Hosts

access the virtual circuit via the UMI<sup>1</sup>. The same is true of terminal and PC devices on either the BNS or the IP network.

**1.2 APPLICATION SPECIFICATIONS**

Number of X.25 devices per DT-6061	30
Number of Virtual Circuits per X.25 Device	1-100
PAD Service	Yes (Per Virtual Circuit)
X.25 Pass-Through Service	Yes (Per Virtual Circuit)
RFC 1006 ISO Service	Yes (Per Virtual Circuit)
Binary Service	Yes (Per Virtual Circuit)
Number of OA&M Channels available	30. One per X.25 device.
Measurements Available	LAPB, Packet Layer, PAD, Byte Counts, Error Counts.
Alarms	Yes
SNMP (DT-6061 Agent)	Yes
Fault Tolerant	Yes. Using two DT-6061 in a high availability configuration.

**1.3 APPLICATION BASIC ARCHITECTURE & OPERATION**

**1.3.1 INTERFACE TYPES**

There are three distinct interface types on the X25PAD application.

**The Configuration Circuits**

This interface type is used for configuration and administration of the X25PAD application for a particular X.25 connection via Telnet.

**The Virtual X.25 Line Circuits**

For this interface type, one virtual X.25 line is configured to receive on a TCP Port. This TCP port will then listen for the TCP call from the DT-4000, UMI, etc. The specific TCP port used is the **configured base + 0**.

**The X.25 VCC (via X.3 PAD) Circuits.**

For this interface type, one TCP port is configured per VCC on the X.25 line. These TCP ports will listen for a call from an endpoint that requires access to the VCC. The specific TCP ports used begin at the **configured base + 1** for X.25 VCC 1, and increment in proportion.

**1.3.2 CIRCUIT USAGE EXAMPLE**

The **X25PAD** application would have its (B)X.25 line, and per circuit configuration entered. This includes the base TCP port number that establishes the range of TCP ports relating to that X.25 line.

---

<sup>1</sup> The UMI allows both synchronous and asynchronous endpoints connected to a BNS network to access endpoints on an IP network. Similarly, endpoints on an IP network can access both synchronous and asynchronous endpoints on a BNS network.

Once restored to service, the X.25 line TCP port (offset 0 from the base) listens for in inbound call from a DT-4000, UMI, or DT-2020/SAM port. This establishes the connectivity with the remote X.25 network element endpoint.

The VCC TCP ports (offset 1 – Number of Virtual Circuits) will listen on their respective TCP ports for inbound calls as well. Any host, or other IP endpoint, may make a telnet call to these TCP ports for per virtual circuit connectivity to the X.25 network element.

**1.4 X25PAD APPLICATION CONFIGURATION**

The configuration of the X.25 application takes place on its OA&M port. That is TCP port number 10000 + its instance number in the DT-6061.

The configuration required for the X25PAD application is:

- **Per application:** This is the TCP port number to be used as a base for a range of TCP ports the application instance shall use. The synchronous transport to the X.25 network element occurs at offset zero to this base TCP port number. The individual X.25 virtual circuits are identified by the base TCP port number plus the X.25 virtual circuit port number.
- **Per X.25 line:** These consist of the LAPB transmission window size and other link layer parameters.
- **Per X.25 VCC:** These consist of the PAD profile associated with the VCC, the window size to be used for transmission in the X.25 packet layer, and other parameters associated on a per virtual circuit basis.

**The Per X.25 Line Configuration parameters are as follows:**

Parameter	Values	Default	Units
X.25 Logical Line Type	DTE, DCE	DCE	
Number of X.25 VCs	1-100	16	
Default Max Packet Size <sup>2</sup>	128, 256	256	Bytes
LAPB Tx Window Size	1-7	2	Frames
Waiting ACK Time (T1)	1-60	3	Seconds
Maximum Attempts to complete a Transmission (N2)	1-255	7	Seconds
Action when N2 Count Exceeded <sup>3</sup>	Disc, reset.	Reset	
Action when DISC received <sup>4</sup>	Disc, reset.	Reset	

<sup>2</sup> The 1980 standard provided for 128 byte packet sizes. The 1984 standard increased the maximum size to 256 bytes. Later standards have optionally increased that number. However, nearly all implementations of X.25 follow the 1984 standard, and it is considered the default for all implementations known to date.

<sup>3</sup> The X25PAD application currently supports only (B)X.25 PVCs. As such a DISC action is not defined.

<sup>4</sup> Receipt of a DISC on an (B)X.25 PVC is not valid. This is not currently supported.

**The per VCC configuration parameters are as follows:**

<u>Parameter</u>	<u>Values</u>	<u>Default</u>	<u>Units</u>
Packet Layer Window	1-7	2	Packets
Circuit Type	PVC or SVC	PVC	
PAD Inactivity Timer (T)	2-20, OFF	OFF	Seconds
Profile ID	Value, Transparent	Transparent	
SVC calling address to use	DNIC+NTN	None	** SVC VCs Only **
SVC called address to use	DNIC+NTN	None	** SVC VCs Only **
User Data Lengh & Contents	Binary Data	0xC1	** SVC VCs Only **
Extended Calling Address	NSAP	None	** ISO SVC VCs **
Extended Called Address	NSAP	None	** ISO SVC VCs **

## 2. APPLICATIONS COMMANDS

The DT-6061 software is composed of two components. One component, called the **Platform**, exists to support all applications. The second component is comprised of the individual **application(s)**.

The **Platform** provides Operating System functions, selected interfaces, protocol stacks, SNMP functions, and system OA&M while each **application** uses the services of the resident **Platform**.

### 2.1 INPUT CONVENTIONS

All parameters may be given on the command line. Parameters of the form **name=<value>** may be given in any order.

For several complex commands, listed below, missing parameters, or corrections of errors in given parameters, of the form **name=<value>** are collected by prompting the console user. The user responds to a prompt for the **name** by typing the required **<value>** followed by *newline*. Defaults are supplied in some cases, so the user need only enter *newline*.

- ❑ Commands may be entered in upper or lower case.
- ❑ Parameters of the form **name=value** may use upper or lower case for **name**.
- ❑ Default values, if any, are shown in parenthesis as part of the prompt.
- ❑ Case is preserved for values.
- ❑ When a password is being requested by a prompt, input is not echoed.
- ❑ Backspace erases one character and @ deletes the current line of input. Most commands are killed by **del** key.

### 2.2 LOGIN

**Syntax:** **login** **PASSWD=<password>** (The default password is "initial")

The **login** command is used to allow access to the other configuration commands.

The **PASSWD** parameter is not echo suppressed. However, if the **PASSWD** parameter is not provided, the console prompts for a password; the response is an asterisk echo in this case.

If the password is valid, the user is placed in the *logged in* mode. Once the console user is logged *in*, the balance of the commands are accessible.

*Note: Each application instance is allowed to be assigned a different password.*

### 2.3 LOGOUT

**Syntax:** **logout**

The **logout** command is only allowed if the console user is logged *in*. It requires no arguments. It will set the console to the logged *out* mode.

Passwords are up to seven characters in length. The characters are alphanumeric and special characters are not allowed.



## 2.4 CHANGE PASSWORD

**Syntax:** `chpasswd PASSWD=<old> NEWPASS=<new> CONFIRM=<new>`

The `chpasswd` command is used to change a user password on the system console. The command is only allowed if the user is logged *in*.

All three parameters must be given on the same line as the command. None of those entries are echo-suppressed.

If the current password is valid, and the two entries for the new password match, the password is changed to the new value.

## 2.5 HELP

**Syntax:** `help [ Command ]`

The `help` command is always visible. The `help` command displays the currently allowed commands for the mode that the unit is currently entered. If the optional `[ Command ]` is provided, the displayed help will be limited to that command.

## 2.6 VERSION

**Syntax:** `ver`

The `version` command is only visible when the application is *logged in*. The command has no arguments. It displays the current build, software version, and database version of the **X25PAD** application.

## 2.7 PLACING COMPONENTS IN SERVICE

**Syntax:** `rs <link | <vc XXX>>`

The `restore` command is only visible when the application is *logged in*. The command is used to place the X.25 Link, or any of the X.25 virtual circuits, into service. A TCP connection is not available until the component is placed into service.

At least one argument is required. That argument is the component type to be placed into service. There is only a single X.25 link, and multiple X.25 virtual circuits on that link which may be individually brought into service.

Once the component is brought into service, it will await a TCP session if the connection type is `rcv`. If the connection type is `orig`, a TCP session will be established with the endpoint specified in the component configuration. Please see the sections that follow for configuration of both the link, and the virtual circuits.

It should be noted that when there are multiple VC with the same TCP port (i.e. a hunt group), the restore command on any one VC in the group will act on all the VCs in the group.

## 2.8 TAKING COMPONENTS OUT OF SERVICE

**Syntax:** `rm <link | <vc XXX>>`

The **remove** command is only visible when the application is *logged in*. The command is used to place the X.25 Link, or any of the X.25 virtual circuits, out of service. Any TCP connection using those components is automatically taken down when the component is removed from service.

At least one argument is required. That argument is the component type to be removed from service. There is only a single X.25 link, and multiple X.25 virtual circuits on that link which may be individually removed from service.

It should be noted that when there are multiple VC with the same TCP port (i.e. a hunt group), the remove command on any one VC in the group will act on all the VCs in the group.

## 2.9 CONFIGURING GENERAL & LINK PARAMETERS

**Syntax:** link [base=<TCP Port#>  
[type=<RCV|ORIG>  
[dest=<IP Address>] [dport=<TCP Port>  
[dx=<DCE|DTE>  
[numvcc=<#VCC>] [win=<#>] [T1=<#>] [N2=<#>  
[cug=[+|-]<CUG Number>]

The **link** command is only visible when the application is logged in. The command is used to configure a Virtual X.25 line termination.

The **base** parameter is the TCP port number base at which the X.25 line, and the associated X.25 virtual circuits, are to be IP terminated. The default is computed as follows:

$\text{Default TCP Base} = ((\text{Application Instance\#} > -1) * 200) + 30000$
--

For example, instance #1 of the application will have its base address at **30000**. The X.25 link would be connected at that TCP port number. The first VC would be at TCP **30001**, and so on.

When the X.25 link is to be on an incoming TCP session, the **type** would be set to **rcv**. The X.25 link would reside at the TCP port specified by the **base** parameter.

When the X.25 link is to be on an outgoing TCP session, the **type** would be set to **orig**. The IP address would be specified by the **dest** parameter, and the TCP port at that IP address would be specified by the **dport** parameter.

The **dx** parameter specifies the logical gender of the (B)X.25 connection. The **dx** defaults to the value of **dce**. When the **dx** is **dce**, it is expected that the (B)X.25 device is a logical **dte**. When the **dx** is **dte**, it is expected that the (B)X.25 device is a logical **dce**. Please note that it is still possible for the device to be a physical dce, or dte regardless of this value. This parameter refers only to the LAPB logical gender.

The **numvcc** parameter is the number of X.25 virtual circuits to be supported. The default is 16.

The **win** parameter specifies the LAPB window size to be used for transmission. The Window size is always 8 frames for receive. The default transmission window size is 2 per the ITU specification X.25.

The **t1** parameter specifies the value of the T1 timer. The timer defaults to the recommendation of the ITU specification X.25. It is provided as an option for non-standard configurations.

The **n2** parameter specifies the value of the N2 retry counter. The value defaults to the recommendation of the ITU specification X.25. It is provided as an option for non-standard configurations.

The **cug** parameter allows the link connection to be protected by a closed user group. These are defined with the *cug* command specified later in this section. Any or all *cug* entries may be associated with the link.

## 2.10 VIRTUAL CIRCUIT CONFIGURATION

```
Syntax: vc <vc#> [win=<#>]
          [ckt=< SVC | PVC >]
          [maxpkt=<128 | 256>]
          [svc=< pad | pass | MACSTAR | RBP | ISO | BIN | SESS >]
          [type=<RCV|ORIG>]
          [dest=<IP Address>] [dport=<TCP Port>]
          [hport=<TCP Port>]
          [calling=< DNIC+NTN | DELETE >]
          [called=< DNIC+NTN | DELETE >]
          [ext_calling=<NSAP> | DELETE ]
          [ext_called=<NSAP> | DELETE ]
          [ulen=< User Data Length >]
          [udata#=< Hexadecimal Value >]
```

The **VC** command is only visible when the application is logged in. The command is used to configure a virtual circuit connection to a Virtual X.25 line.

The **<VC#>** parameter refers to the virtual circuit configured on the X.25 line. It has the range of 1 through the number of circuits configured.

When the X.25 virtual circuit is to be placed on an incoming TCP session, the **type** would be set to **rcv**. The X.25 virtual circuit would reside at the TCP port specified by the **hport** parameter. A default TCP port is unique to each VC. By using the same TCP port in multiple VCs, hunt groups may be created. The VC numbers do not need to be contiguous to create a hunt group.

When the X.25 virtual circuit is to be placed on an outgoing TCP session, the **type** would be set to **orig**. The IP address would be specified by the **dest** parameter, and the TCP port at that IP address would be specified by the **dport** parameter.

The **win** parameter refers to the packet layer window size to be used for transmission purposes. It defaults to the value of 2 per the ITU Recommendation X.25.

The **svc** parameter allows the type of service to be performed on the virtual circuit. When the value of **PAD** is selected, the virtual circuit is terminated in a X.3 PAD service. When the value of **PASS** is selected, an X.25 pass-through service is selected. When the value of **MACSTAR** is selected, a proprietary interface with the **MACSTAR** operations system is selected. The value of **ISO** selects RFC 1006 encapsulation of **ISO (B)X.25** over TCP/IP. The value of **BIN** is a straight binary interface without additional encapsulation. The value of **RBP** is the Reservation Boundary Protocol over TCP/IP. The value of **SESS** selects an implementation of the BX.25 Session Layer on this VC. This BX.25 Session Layer within the **X25PAD** is a vertical service above the packet layer. The BX.25 Session Layer may be used in conjunction with the BX.25 Session Layer API library, or as a standalone service.

The **ckt** parameter allows the type of virtual circuit to be configured. The default is **PVC** to define a permanent virtual circuit. When defined as a **PVC**, the circuit will still accept call requests and clears but will not generate them. When defined as an **SVC**, the circuit will generate a call request when a connection is made to the VC, and a call clear when a connection to the VC is dropped. Optional parameters allow the specification of the contents of the call X.25 packet.

The **calling** parameter allows the specification of a calling DNIC+NTN that is contained in the call packet generated on an **SVC**. The default is that no calling information is provided. The **DELETE** option specifies the removal of the calling DNIC+NTN.

The **called** parameter allows the specification of a called DNIC+NTN that is contained in the call packet generated on an **SVC**. The default is that no called information is provided. The **DELETE** option specifies the removal of the called DNIC+NTN.

The **ext\_calling** and **ext\_called** parameters allows the specification of address extensions used in an **ISO** concatenated (B)X.25 network. The extensions allow addresses to be propagated across the subnetwork attachment where the networks are concatenated. These extensions were proposed in the 1984 X.25 specification and adopted in the 1988 X.25 specification. A value of **DELETE** will remove the parameter from the virtual circuit.

The **ulen** parameter defines the size of the User Data field in the call packet. The allowed values are one through 16 bytes inclusive. Modification of the user data field with the **udata#** parameter will affect the value of the user data length automatically.

The **udata#** parameter defines the contents of one byte. The **#** is to be replaced with a number in the range of one through 16 inclusive (e.g. **udata1=0xC1**). The default user data is one byte in length and contains the value **0xC1**.

The **maxpkt** parameter specifies the size of the X.25 packet generated when the data stream has not met its termination condition and is therefore generated with the M-BIT. The actual size of the packet is 3 bytes larger to accommodate X.25 protocol overhead.

## 2.11 CONFIGURING PAD PARAMETERS

**Syntax: pad <vc #>[echo=<ON|OFF>]  
 [fwd=< none | cr | crdrop | semi | all>]  
 [idle=<#ticks>]  
 [break=<none|intr|reset|brkind>]  
 [parity=<TRANS | EVEN | ODD>]  
 [crlf=<none|rmt|vc|both>]  
 [inact=<# seconds>|OFF]  
 [cmap=< ON | OFF >]  
 [cug=[+|-]<CUG Number>]**

The **PAD** command is only visible when the application is logged in. The command is used to configure the X.3 PAD parameters of a virtual circuit. These parameters have relevance only if the service selected on the virtual circuit is **PAD**.

The **<VC #>** parameter refers to the virtual circuit configured on the X.25 line. It has the range of one through the number of circuits configured.

The **echo** option refers to reference #2 in the X.3 parameter list. When set to **OFF**, the X25PAD will not echo characters back to the IP endpoint. When set to the value of **ON**, all characters are to be echoed back to the IP source.

The **fwd** parameter specifies reference #3 in the X.3 parameter list. This is the forwarding condition (outside the PAD timer) which will forward data towards the X.25 virtual circuit. A value of **NONE** indicates that there are no character forwarding conditions. A value of **CR** indicates that a carriage return will forward any accumulated data (including the carriage return). A value of **CRDROP** indicates that a carriage return will forward any accumulated data (but not including the carriage return). A value of **SEMI** indicates that a semicolon will forward any accumulated data, including the semicolon. A value of **ALL** indicates that all data is to be forwarded immediately.

The **ALL** option has the effect of generating single user character X.25 packets on this virtual circuit. *Note: When a the data prior to the forwarding condition exceeds the X.25 packet size, an X.25 packet with the 'M'ore bit will be generated. When the forwarding condition is reached, the X.25 packet shall not have the 'M'ore bit set.*

The **idle** parameter refers to reference #4 in the X.3 parameter list. This is the time forwarding condition. When it expires, it will forward any data collected to the X.25 circuit. The timer is reset to the specified value whenever a forwarding condition is reached. The value is based on ticks of 1/20<sup>th</sup> of a second each per the X.3 specification.

The **break** parameter refers to reference #7 in the X.3 parameter list. This is the action to be taken when a break indication (a standard telnet encapsulated value) is received from the remote IP endpoint. The value of **NONE** will ignore the break, and it is deleted from the data stream. The value of **INTR** will generate an X.25 interrupt packet. The value of **RESET** will generate an X.25 virtual circuit reset. The value of **BRKIND** will generate an X.29 "indication of break" message on the X.25 virtual circuit.

The **parity** parameter is not present in the X.3 parameter list. It allows special parity treatment for interface to network elements that require parity. The default value is *transparent* operation. The value of **TRANS** sets the operation to be *transparent*. When the parity treatment is *transparent*, the data is not modified in either direction. The value of **EVEN** sets the operation to be *even parity* towards the (B)X.25 device, and stripped parity towards the TELNET. The value of **ODD** sets the operation to be *odd parity* towards the (B)X.25 device, and stripped parity towards the TELNET.

The **crif** parameter refers to reference #13 in the X.3 parameter list. This is the action to be taken when a CR is received in the data stream from the remote IP endpoint. A value of **NONE** indicates that there is to be no LF (line feed) insertion. A value of **RMT** will insert an LF following a CR whenever it is sent towards the remote IP endpoint. A value of **VC** will insert an LF following a CR whenever it is sent towards the X.25 virtual circuit. A value of **BOTH** will insert an LF following a CR in either direction.

The **inact** option refers to the PAD inactivity timer. If enabled, the TCP session on that X.25 virtual circuit is disconnected when the inactivity timer expires. The value defaults to OFF.

The **cmap** option provides the automatic case mapping from lower case to upper case. When **ON**, all lower case characters are automatically converted to upper case. When **OFF**, no transformations are performed.

The **cug** parameter allows the virtual circuit connection to be protected by a closed user group. The closed user group feature is significant only for PAD service. The closed user group address entries are defined with the *cug* command specified later in this section. Any or all *cug* entries may be associated with the virtual circuit.

## 2.12 DISPLAY MEASUREMENTS

**Syntax: dmeas <link |vc <#> >**

The **dmeas** command is only visible when the application is logged in. The command is used to display the current measurements on either the X.25 link or per virtual circuit.

The **LINK** parameter will display the measurement information for the X.25 link being supported by this instance of the application.

The **VC <#>** option will display the measurement information for a particular X.25 virtual circuit on the link. The virtual circuit number is in the range of one through the maximum number supported by the application.

## 2.13 VERIFY CONFIGURATION

**Syntax: vfy [ all | app | link | cug | vc <#>]**

The **vfy** command is only visible when the application is logged in. The command is used to display the configured options on the X.25 link, or a virtual circuit resident on the X.25 link.

The **LINK** parameter will display the configuration information for the X.25 link being supported by this instance of the application.

The **VC <#>** parameter will display the configuration information for a particular X.25 virtual circuit on the link. The virtual circuit number is in the range of 1 through the maximum number supported by the application.

The **APP** parameter will display information about the application instance. This includes user comments, and the instance identifier.

The **CUG** parameter will display information about the configuration of the closed user groups.

## 2.14 DISPLAYING CURRENT CONNECTIONS

**Syntax: dc**

The **dc** command is used to display all of the current connections into the X25PAD application. This includes the X.25 link, and any X.25 virtual circuit connections. The command will issue a report that shows the connection peer for each active connection.

## 2.15 SNOOPING X.25 TRAFFIC

**Syntax: snoop [OFF | L2 | ALL | <VC# Range>] [ verbose ]**

The X25PAD application has a diagnostic ability to snoop on either X.25 link at the LAPB layer, or on an individual circuit at the packet layer. This is done with the **snoop** command. All output is directed to the OA&M connection.

If the command is invoked with no arguments, it produces a report of all active snooper configurations.

If the command is invoked with the **OFF** option, all of the snooper configurations are disabled.

If the command is invoked with the **L2** option, the LAPB interface to the X.25 device is snooped. Output is displayed on the OA&M session. Please note that this could be extensive for a moderately busy X.25 line.

If the command is invoked with the **ALL** option, the LAPB interface and all of the virtual circuits that have been configured have snooping enabled.

If the command is invoked with a virtual circuit number in the range of 1 through the maximum number of X.25 circuits; the packet layer of the circuit specified is snooped. The number may be specified as a range (e.g. 1-5).

The additional parameter of [**verbose**] will display all of the data bytes in addition to the standard decoding. The output of this option may become quite voluminous.

## 2.16 RESTART X.25 OPERATION

### Syntax: restart

The **restart** command is only visible when the application is logged in. The command is used to manually initiate a protocol restart of the X.25 link and packet layers.

## 2.17 PROMPT LABELS

### Syntax: label [ "Any Label" | NONE ]

The prompt on the application console may be customized with a label up to sixty characters in length. Spaces and special characters are allowed within the double quotes. The double quotes are required on this command. The value of **none** deletes any existing label on the prompt. The current configuration is displayed during a *verify configuration*, by invoking the **label** command without arguments, or merely by the prompt display.

## 2.18 APPLICATION COMMENTS

### Syntax: comment [ L1="Any Comment" [ L2="Any Comment" [ L3="Any Comment"

The **X25PAD** application may have comments which are displayed with the *verify configuration* command. Up to three lines of comments are available. Each line may have a comment up to 64 characters in length. Each comment is double quoted to allow for spaces to be embedded. A comment with no characters (i.e. "") is used to delete a comment which is not desired. It is not necessary to delete prior to adding a new comment. The new comment shall replace the existing comment at the line specified.

## 2.19 DISPLAY OF REMOTE EIA LEADS

### Syntax: deia

The **deia** command allows a user to display the EIA leads of the BX.25 Network Element connection from a DT-4000 or SAM device. The command does not affect data transport, and may be done at any time.

## 2.20 CLOSED USER GROUPS

### Syntax: cug <CUG Number> [ipaddr=<IP Address>] [submask=<IP Mask>]

The **CUG** command allows the definition of address sets to create multiple closed user groups. The address sets are then used by the link, console, and virtual circuits in creating individual closed user groups. The <CUG Number> has a range of one through sixteen.

## 2.21 CONSOLE SECURITY

### Syntax: console [cug=[+|-]<CUG Number>]



The **CONSOLE** command allows the assignment of a closed user group to the administration session. The closed user group must include the current administrator to prevent accidental lockout. This restriction is enforced.

## **2.22 X25PAD INSTALL (INSTALLING SOFTWARE & RESETING THE PASSWORD)**

**Syntax: install [ key=<software key> ]**

The **X25PAD** application has a unique software key. The installation of the key is performed by the factory, and need only be done if the software is changed in the field.

When executed without arguments, the install command will display the significant information needed to manufacture the software key.

The <software key> is an eight-character alphanumeric which is unique to the **X25PAD** application on this **DT-6xxx**. When the **install** command is entered with the **key=<software key>** option, the instance user password is reset to the original value of *initial*.

The **X25PAD** application need be installed only once on a **DT-6xxx**. The key becomes available for all **X25PAD** instances immediately.

## **3. APPLICATION SOFTWARE INSTALLATION & UPGRADE**

An application may be initially installed, or upgraded, using the **install** command available on the platform console. Please note that this command is not the **X25PAD install** command that is used for key installation on the instance console.

*Refer to the DT-6061 Platform User's Manual and refer to the section titled: **Application Software Installation & Upgrade***

**4. APPENDIX A – X25PAD MEASUREMENTS AVAILABLE**

This appendix itemizes the measurements available using the *display measurements (dmeas)* command. There are two options to the **dmeas** command. These are **link** and **vc**.

The **link** option provides X.25 Link level measurements, and the **vc** option provides per virtual circuit measurements.

The base measurements are always displayed, and the error and exception counters are only displayed if nonzero.

**The link level measurements available are as follows:**

Measurement Description	Type
Number of LAPB Frames Received	Base
Number of LAPB Frames Transmitted	Base
Number of LAPB Bytes Received	Base
Number of LAPB Bytes Transmitted	Base
Number of Invalid Frames Received.	Base
Number of Frames Received with Channel Out of Range	Base

**The per virtual circuit measurements available are as follows:**

Measurement Description	Type
Number of Packets Received from X.25 Link	Base
Number of Packets Sent to X.25 Link	Base
Number of Bytes Received from X.25 Link	Base
Number of Bytes Sent to X.25 Link	Base
Number of Call Request Packets Received	Exception
Number of Call Accept Packets Received	Exception
Number of Clear Request Packets Received	Exception
Number of Clear Confirmation Packets Received	Exception
Number of Interrupt Packets Received	Exception
Number of Interrupt Confirm Packets Received	Exception
Number of REJ Packets Received	Exception
Number of RNR Packets Received	Exception
Number of Reset Request Packets Received	Exception
Number of Reset Confirmation Packets Received	Exception

**5. SUPPORT FOR X.3 PAD PARAMETER VALUES**

The X25PAD supports the relevant X.3 PAD parameters. Since the X25PAD is not a physical device, some of the parameters are not readily applicable. Responses via X.29 will carry default values if queried.

The table below will indicate all the X.3 parameters, and the support of these parameters by the X25PAD application.

<b>Ref #</b>	<b>Description</b>	<b>Supported Options</b>	<b>Note</b>	<b>Config</b>
1	PAD recall	0 – None	User Command session provided by Datakit CC or DT-4000 or DT-2020.	No
2	Echo	0 – No Echo 1 – Echo		Yes
3	Data Forwarding Characters	0 – None 2 – CR 126 – All Characters		Yes
4	Idle Delay	0-255	Ticks are in 1/20 <sup>th</sup> of a second.	Yes
5	Ancillary Device Control	0 – None	Configured on DT-4000 or SAM/DT-2020 port configuration	No
6	Control of PAD service signals and PAD command signals.	0 – No PAD service signals are transmitted.	DT-4000 or SAM is DTE service center.	No
7	Operation of PAD on receipt of break from IP	0 – Nothing 1 – Send X.25 Interrupt 2 – Send X.25 Reset 4 – X.29 “Indication of Break”		Yes
8	Discard Output	0 – Normal Data Delivery		No
9	Padding after CR	0 – No Padding after CR		No
10	Line Folding	0 – No line folding		No
11	Binary Speed	18 – 64000bps	For Reporting Only	No
12	Flow Control of the PAD	0 – No use of X-ON and X-OFF	These are functions of the DT-4000 and SAM devices.	No

13	LineFeed Insertion after CR	0 – No Linefeed Insertion 1 – Insert Linefeed after CR towards IP. 2 – Insert Linefeed after CR from IP		Yes
14	Padding after Linefeed	0 – No Padding after LF		No
15	Editing	0 – No use of editing.	User command session performed via the DK CC, the DT-4000, and the DT-2020.	No
16	Character Delete	None	User command session performed via the DK CC, the DT-4000, and the DT-2020.	No
17	Line Delete	None	User command session performed via the DK CC, the DT-4000, and the DT-2020.	No
18	Line Display	None	User command session performed via the DK CC, the DT-4000, and the DT-2020.	No
19	Editing PAD service signals	0 - None		No
20	Echo Mask	0 - None		No
21	Parity	0 – No generation or checking.	Parity performed by DT-4000 or SAM.	No
22	Page Wait	0 - Disabled		No
23	Input field size	0 - Undefined	User command session performed via the DK CC, the DT-4000, and the DT-2020.	No
24	End of Frame Signals	0 – Undefined Size	EOF is determined and encoded per the RFC since this is an IP application.	No
25	Extended Data Forwarding Signals	0 – No extended Data		No
26	Display Interrupt	0 – No display interrupt		No
27	Display Interrupt Confirmation	0 – No display interrupt confirmation.		No
28	Diacritic Character Coding	0 – Basic Coding		No

**DT-6061 X25PAD Application User's Manual**

29	Extended Echo Mask	0 – No Extended Echo Mask		No
----	--------------------	---------------------------	--	----

6 .

## **7. APPNOTE: USING X25PAD AS AN FTAM GATEWAY**

The FTAM protocol is used by ISO compliant network equipment for the transfer of files between two systems or endpoints. Typically, these endpoints are on disjoint segments of an X.25 network. That is, they are closed networks that are concatenated by an intermediate network. All the network segments are X.25 based and the call setup information needed to establish a connection was contained in extended address features that were added to the Call Setup packet during the 1984 revision to the BX.25 specification.

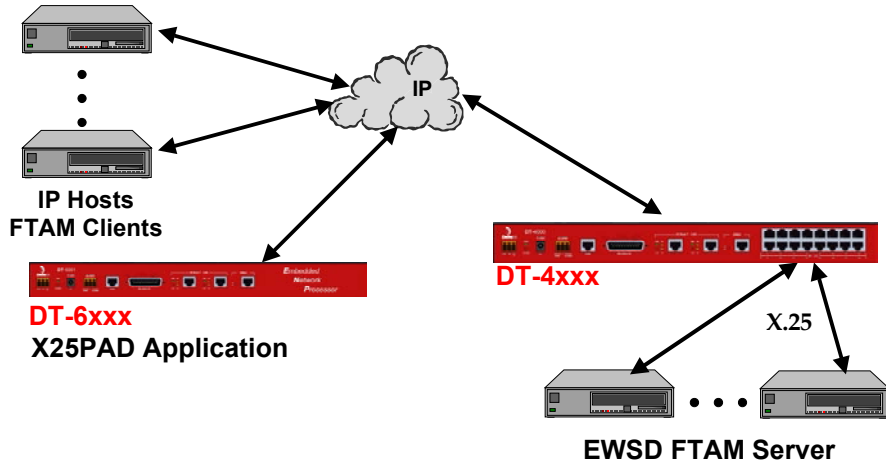
The X.25 address extensions are aimed primarily at the carrying of the NSAP addresses across concatenated networks. These addresses are independent of the subnetwork addressing scheme, and will be used at the boundary between subnetworks to derive the *Subnetwork Point of Attachment (SNPA)* for the next stage of a call. For an X.25 network, the SNPAs are the calling and called DTE address carried at the start of the call request packet immediately after the packet type identifier. The CCITT originally assumed that the address extension field needed to be 32 decimal digits. However, ISO subsequently defined this value to be 40 digits in the 1988 version of the X.25 specification. The **X25PAD** application supports the 40 digits defined in the 1988 specification for extended calling parameters.

As TCP/IP networks became prevalent, RFC 1006 was proposed as a means to deliver FTAM packets in lieu of the X.25 network specified by ISO. Because TCP is a byte stream and not a packet protocol, a header was added to each FTAM message. To date, three versions of the RFC1006 FTAM protocol have been presented. The **X25PAD** application supports the most current version (#3).

In this use, the X25PAD application acts as a gateway between an intermediate X.25 network and the TCP/IP host interface. The X25PAD presents the extended addressing needed to support concatenated X.25 networks, and mediates between the RFC1006 TCP/IP interface and the ISO X.25 interface. This is selectable on a per virtual circuit basis.

An example of such a deployment is as follows:

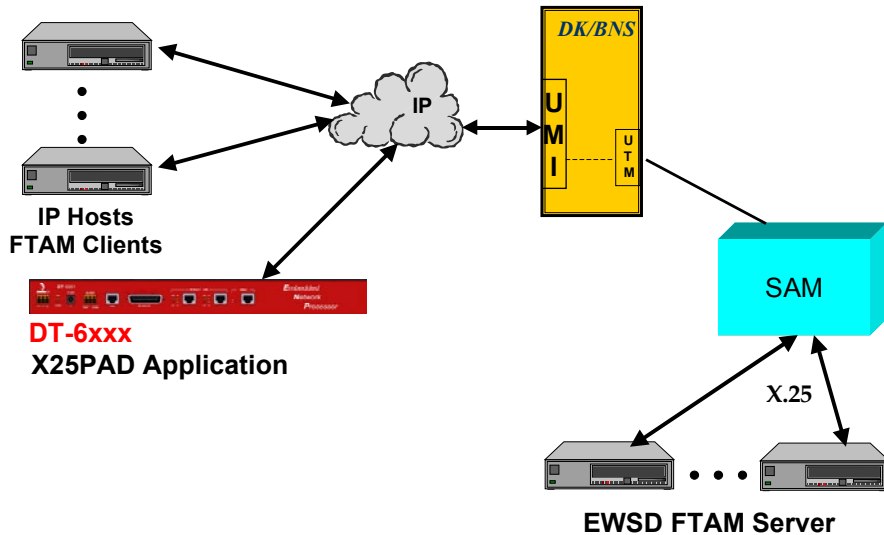
# TCP/IP to ISO FTAM Gateway



In the diagram above, the FTAM clients on the TCP/IP hosts communicate with the **X25PAD** application in the native RFC1006 FTAM protocol. The **X25PAD** mediates with the ISO based X.25 implementation of the FTAM protocol. The physical X.25 links are connected to a **DT-4xxx** serial port remote from either the **DT-6xxx** or the FTAM client hosts.

In addition, integration with a BNS network is easily achieved with a UMI module. Consider the following diagram:

**TCP/IP to ISO FTAM Gateway via BNS/DK**



In the diagram above, the only change made was a UMI as the mediation point between the TCP/IP network infrastructure and the BNS/DK network infrastructure. Any variant of SAM may be used for the serial connection. Options include the SAM 64/504, a **DT-4000**, and the **DT-SAM**. The SAM and DK/BNS node need not be collocated with each other or with the DT-6xxx on which the X25PAD application resides.

Configuration of a VC to be used for FTAM service requires only the selection of the ISO protocol and the extended address parameters for the SVC call setup. An example for VC #1 follows:

```
vc 1 ext_calling=5551212 ext_called=1234567 svc=iso
```

All of the other SVC parameters remain the same.



## **8. HARDWARE WARRANTY**

The warranty period for hardware shall be ninety (90) days from the date of delivery, and the warranty for software shall be 90 days from the date of delivery. Replacements and repairs are guaranteed for the longer of the remaining original warranty period or 90 days.

## **9. END-USER LICENSE AGREEMENT FOR SOFTWARE**

This License Agreement ("License") is a legal contract between you and the manufacturer ("Manufacturer") of the system ("HARDWARE") with which you acquired software product(s) identified above ("SOFTWARE"). The SOFTWARE may include printed materials that accompany the SOFTWARE. Any software provided along with the SOFTWARE that is associated with a separate end-user license agreement is licensed to you under the terms of that license agreement. By installing, copying, downloading, accessing or otherwise using the SOFTWARE, you agree to be bound by the terms of this LICENSE. If you do not agree to the terms of this LICENSE, Manufacturer is unwilling to license the SOFTWARE to you. In such event, you may not use or copy the SOFTWARE, and you should promptly contact Manufacturer for instructions on return of the unused product(s) for a refund.

### **SOFTWARE LICENSE**

You may only install and use one copy of the SOFTWARE on the HARDWARE (unless otherwise licensed by Manufacturer). The SOFTWARE may not be installed, accessed, displayed, run, shared or used concurrently on or from different computers, including a workstation, terminal or other digital electronic device ("Devices"). Notwithstanding the foregoing and except as otherwise provided below, any number of Devices may access or otherwise utilize the services of the SOFTWARE. You may not reverse engineer, decompile, or disassemble the SOFTWARE, except and only to the extent that such activity is expressly permitted by applicable law notwithstanding this limitation. The SOFTWARE is licensed as a single product. Its component parts may not be separated for use on more than one HARDWARE. The SOFTWARE is licensed with the HARDWARE as a single integrated product. The SOFTWARE may only be used with the HARDWARE as set forth in this LICENSE. You may not rent, lease or lend the SOFTWARE in any manner. You may permanently transfer all of your rights under this LICENSE only as part of a permanent sale or transfer of the HARDWARE, provided you retain no copies, you transfer all of the SOFTWARE (including all component parts, the media and printed materials, any upgrades, this LICENSE and, if applicable, the Certificate(s) of Authenticity), and the recipient agrees to the terms of this LICENSE. If the SOFTWARE is an upgrade, any transfer must also include all prior versions of the SOFTWARE. Without prejudice to any other rights, Manufacturer may terminate this LICENSE if you fail to comply with the terms and conditions of this LICENSE. In such event, you must destroy all copies of the SOFTWARE and all of its component parts.

### **INTELLECTUAL PROPERTY RIGHTS**

The SOFTWARE is licensed, not sold to you. The SOFTWARE is protected by copyright laws and international copyright treaties, as well as other intellectual property laws and treaties. You may not copy the printed materials accompanying the SOFTWARE. All title and intellectual property rights in and to the content which may be accessed through use of the SOFTWARE is the property of the respective content owner and may be protected by applicable copyright or other intellectual property laws and treaties. This LICENSE grants you no rights to use such content. All rights not expressly granted under this LICENSE are reserved Manufacturer and its licensors (if any).

### **SOFTWARE SUPPORT**

SOFTWARE support is not provided by Manufacturer, or its affiliates or subsidiaries separate from the HARDWARE. For SOFTWARE support, please contact your supplier of the HARDWARE. Should you have any questions concerning this LICENSE, or if you desire to contact Manufacturer for any other reason, please refer to the address provided in the documentation for the HARDWARE.

### **EXPORT RESTRICTIONS**

You agree that you will not export or re-export the SOFTWARE to any country, person, or entity subject to U.S. export restrictions. You specifically agree not to export or re-export the SOFTWARE: (i) to any country to which the U.S. has embargoed or restricted the export of goods or services, which as of March 1998 include, but are not necessarily limited to Cuba, Iran, Iraq, Libya, North Korea, Sudan and Syria, or to any national of any such country, wherever located, who intends to transmit or transport the products back to such country; (ii) to any person or entity who you know or have reason to know will utilize the SOFTWARE or portion thereof in the design, development or production of nuclear, chemical or biological weapons; or (iii) to any person or entity who has been prohibited from participating in U.S. export transactions by any federal agency of the U.S. government.

### **LIMITED WARRANTY**

Manufacturer warrants that (a) the SOFTWARE will perform substantially in accordance with the accompanying written materials for a period of ninety (90) days from the date of shipment from TeleComp R&D or a designated manufacturer. Software support is limited to the hours of 9AM to 5PM ET Monday through Friday excluding TeleComp R&D observed holidays. An extended warranty may be purchased at additional cost. Any implied warranties on the SOFTWARE are

limited to ninety (90) days. Some states/jurisdictions do not allow limitations on duration of an implied warranty, so the above limitation may not apply to you.

Manufacturer's and its suppliers' entire liability and your exclusive remedy shall be, at Manufacturer's option, either (a) return of the price paid, or (b) repair or replacement of the SOFTWARE that does not meet this Limited Warranty and which is returned to Manufacturer with a copy of your receipt. This Limited Warranty is void if failure of the SOFTWARE has resulted from accident, abuse, or misapplication. Any replacement SOFTWARE will be warranted for the remainder of the original warranty period or thirty (30) days, whichever is longer.

### **NO OTHER WARRANTIES**

TO THE MAXIMUM EXTENT PERMITTED BY APPLICABLE LAW, MANUFACTURER AND ITS SUPPLIERS DISCLAIM ALL OTHER WARRANTIES, EITHER EXPRESS OR IMPLIED, INCLUDING, BUT NOT LIMITED TO IMPLIED WARRANTIES OF MERCHANTABILITY, FITNESS FOR A PARTICULAR PURPOSE AND NONINFRINGEMENT, WITH REGARD TO THE SOFTWARE AND THE ACCOMPANYING WRITTEN MATERIALS. THIS LIMITED WARRANTY GIVES YOU SPECIFIC LEGAL RIGHTS. YOU MAY HAVE OTHERS, WHICH VARY FROM STATE/JURISDICTION TO STATE/JURISDICTION.

### **LIMITATION OF LIABILITY**

To the maximum extent permitted by applicable law, in no event shall Manufacturer or its suppliers be liable for any damages whatsoever (including without limitation, special, incidental, consequential, or indirect damages for personal injury, loss of business profits, business interruption, loss of business information, or any other pecuniary loss) arising out of the use of or inability to use this product, even if Manufacturer has been advised of the possibility of such damages. In any case, Manufacturer's and its suppliers' entire liability under any provision of this License shall be limited to the amount actually paid by you for the SOFTWARE and/or the HARDWARE. Because some states/jurisdictions do not allow the exclusion or limitation of liability for consequential or incidental damages, the above limitation may not apply to you.

### **SPECIAL PROVISIONS**

The SOFTWARE and documentation are provided with RESTRICTED RIGHTS. Use, duplication, or disclosure by the United States Government is subject to restrictions as set forth in subparagraph (c)(1)(ii) of the Rights in Technical Data and HARDWARE Software clause at DFARS 252.227-7013 or subparagraphs (c)(1) and (2) of the Commercial HARDWARE Software-Restricted Rights at 48 CFR 52.227-19, as applicable. Manufacturer is TeleComp R&D or it's designee manufacturer., 102 SW Orange Blossom, Lake City, Florida, 32025.

If you acquired the SOFTWARE in the United States of America, this Software License are governed by the laws of the State of New Jersey, excluding its choice of laws provisions. If you acquired the SOFTWARE outside the United States of America, local law may apply. This LICENSE constitutes the entire understanding and agreement between you and the Manufacturer in relation to the SOFTWARE and supercedes any and all prior or other communications, statements, documents, agreements or other information between the parties with respect to the subject matter hereof.

## 10. SALES & DISTRIBUTION



Communications Technology Solutions

**CBM of America, Inc.**  
**Mr. Mike Stephens**  
1455 West Newport Center Drive  
Deerfield Beach, Florida  
33442

800-881-8202  
954-698-9104      Fax: 954-360-0682

[www.cbmusa.com](http://www.cbmusa.com)



Datatek Applications, Inc.

**Mr. Dan Conklin**  
379 Campus Drive, Suite 100  
Somerset, New Jersey  
08873

732-667-1080      Fax: 732-667-1091

[www.datatekcorp.com](http://www.datatekcorp.com)

## 11. AUTHOR

Comments and Questions regarding this document or the products covered within this document should be addressed to the author Angel Gomez via email at [angel@trdcusa.com](mailto:angel@trdcusa.com) or via telephone at 386-754-5700.

©Copyright 2002, 2008 TeleComp Research & Development Corp.

©Copyright 1998, 2002 TeleComp Inc.

All Rights Reserved

Printed in USA

Datakit® and StarKeeper® II NMS are registered trademarks of Lucent Technologies.